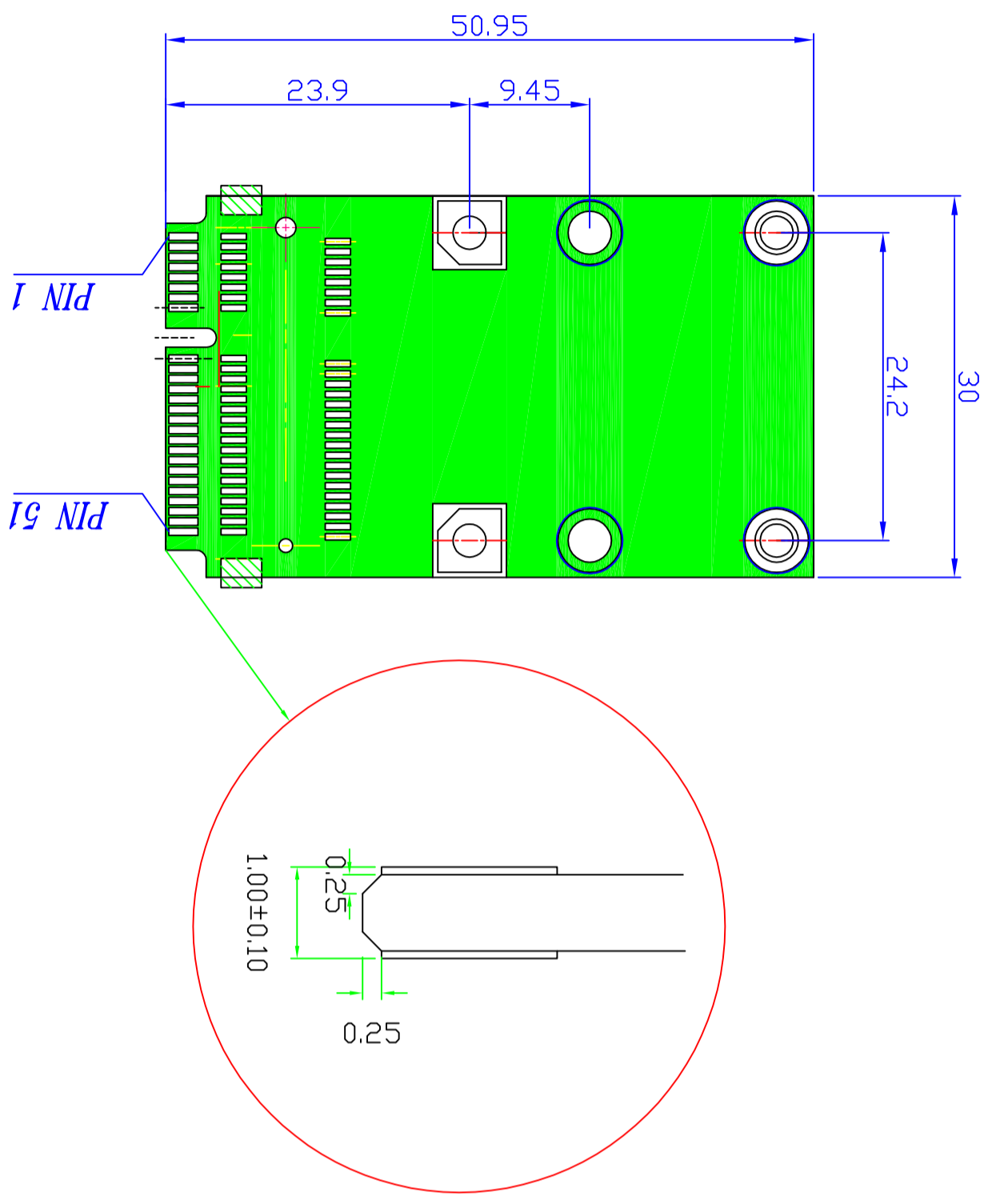
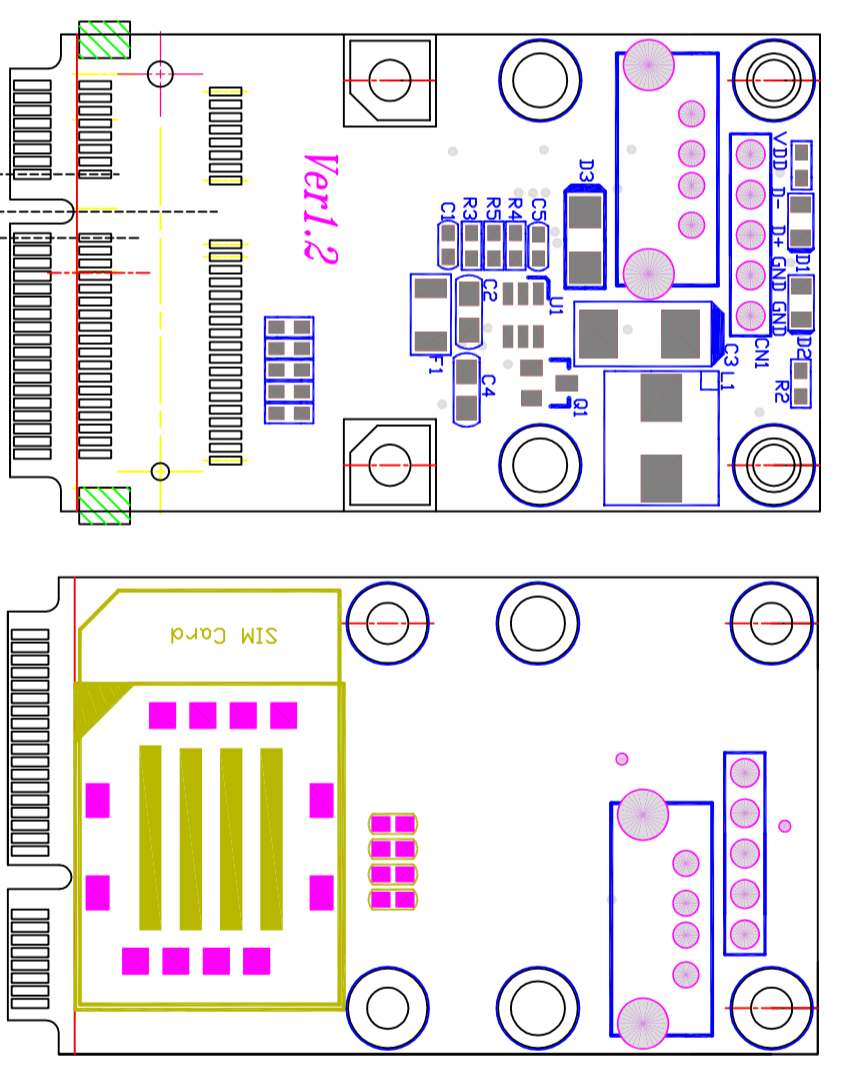
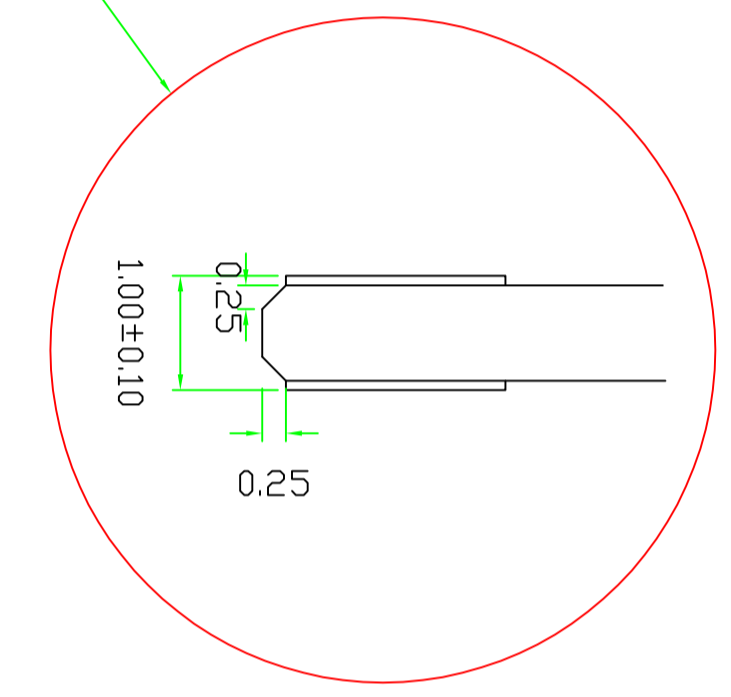


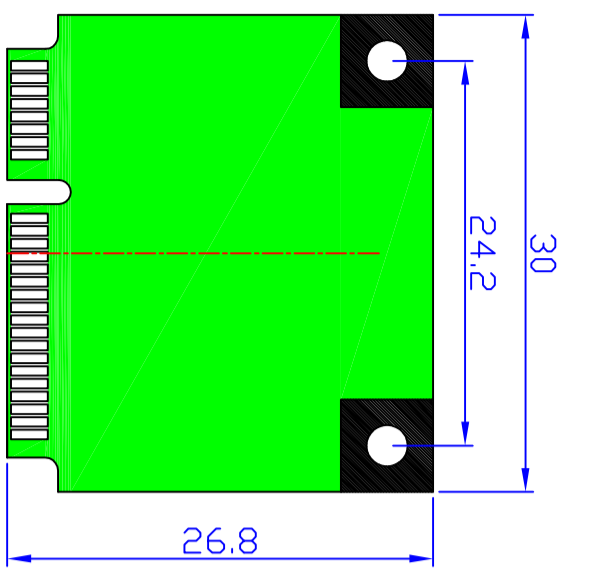
Half mPCIe card / Full mPCIe card adapter
PCI Express Mini Card Electromechanical Specification Revision 1.2
PCI Express Card Electromechanical Specification 1.1



Mini PCI-E Card
Top Side



Mini PCI-E Card
bottom Side



Half-Mini Card dimension

APPROVED:	— TOLERANCES —		UNIT:	TITLE :	SHEET
ENGINEER:	General	Angles	mm	Half mPCIe Adapter	1/1
CHECKED:	30~ ±0.25	0° ±3°	SCALE:	DRAWING NUMBER:	SIZE
DRAWN:	10~30 ±0.20	0.0° ±2°	1:1	G-MM2U-PCBL	A4
Gerry Chen	5~10 ±0.15			Date	REV.
	0~5 ±0.10			2011/Feb/28th	A/0